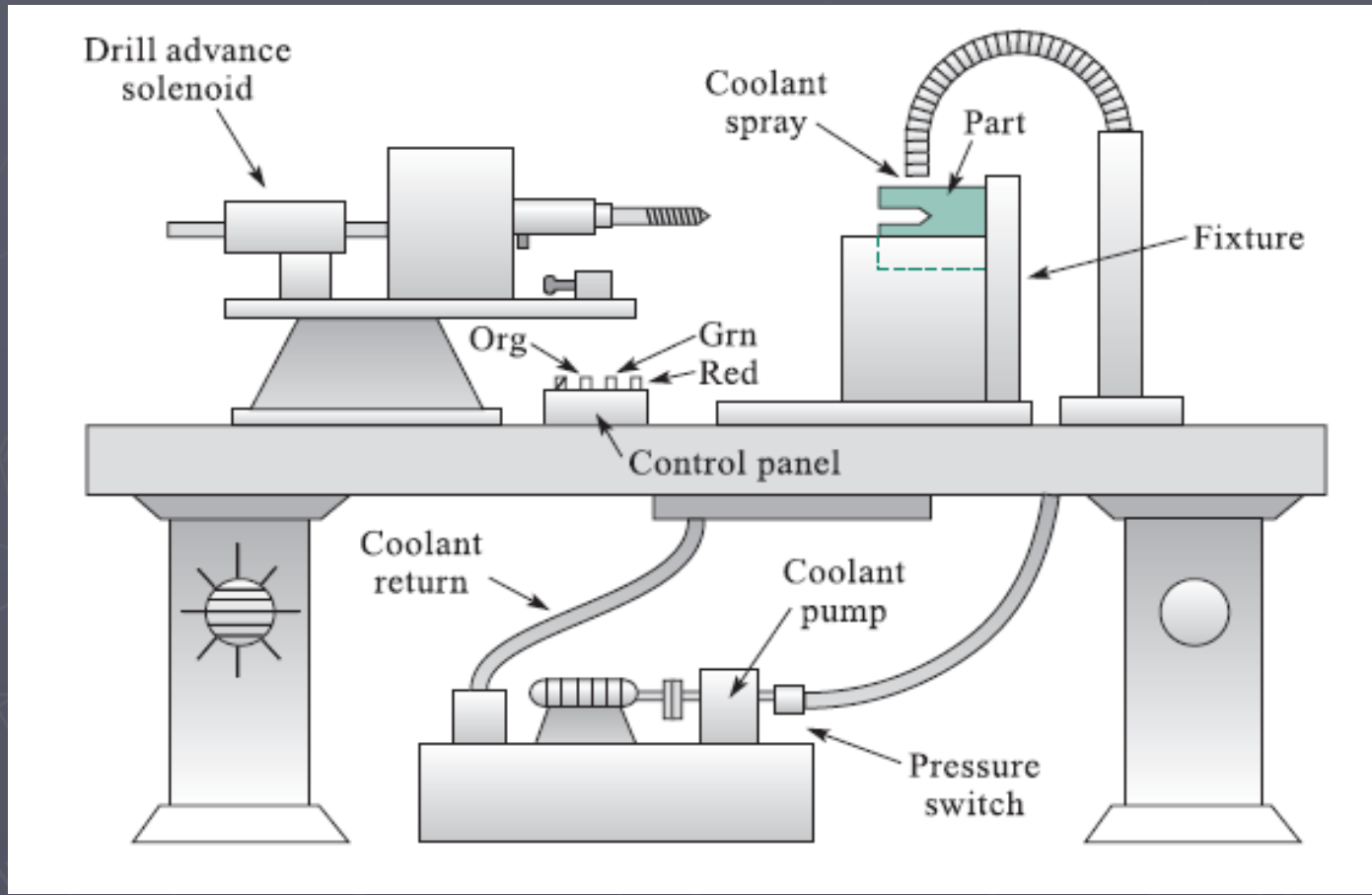


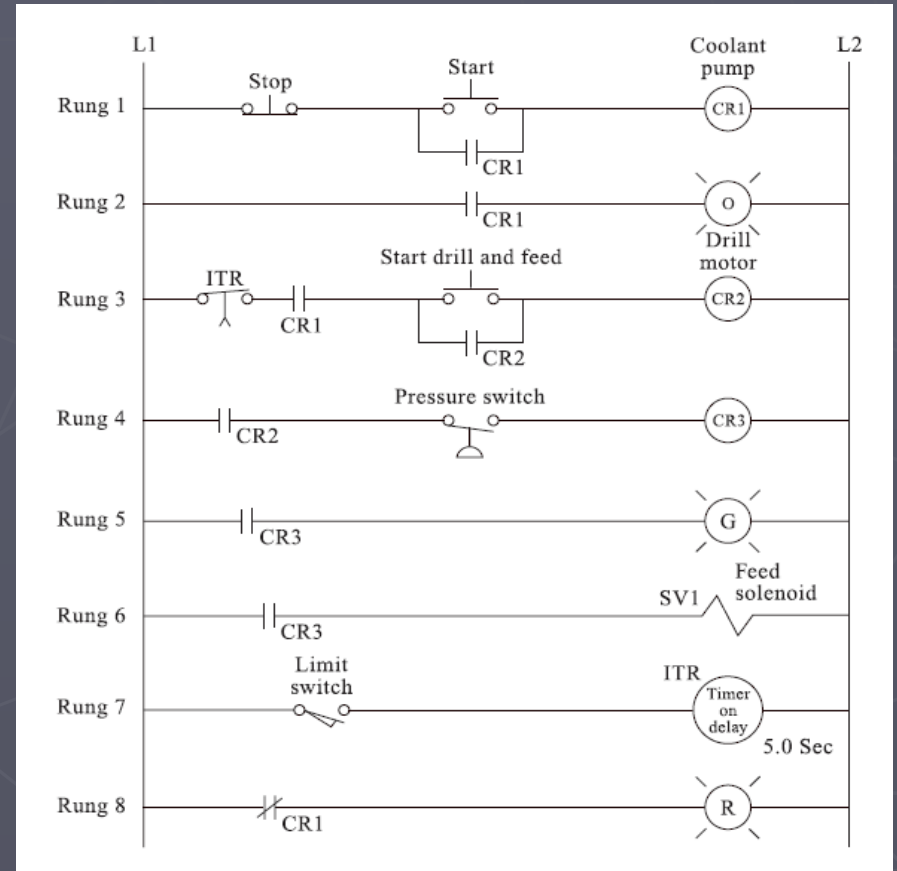
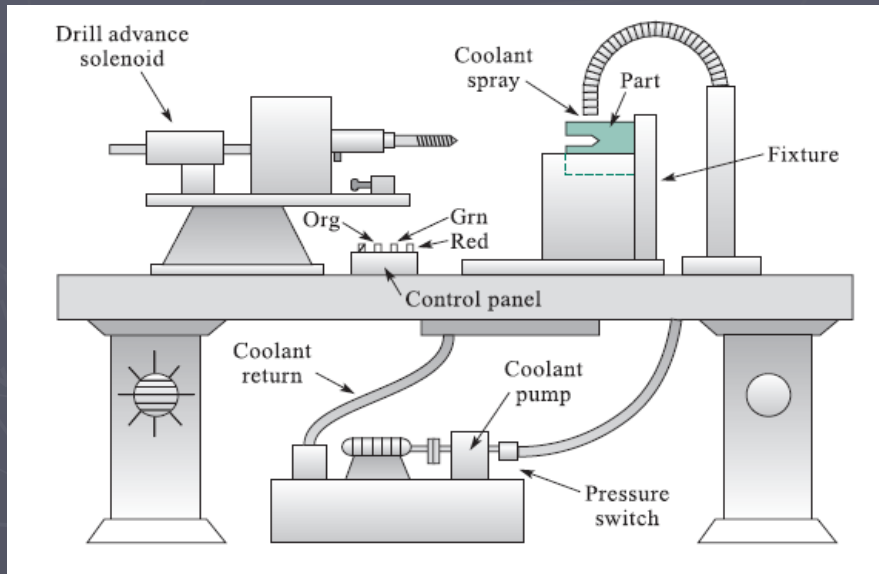
PLC: Industrial Systems

Dr. Tarek A. Tutunji

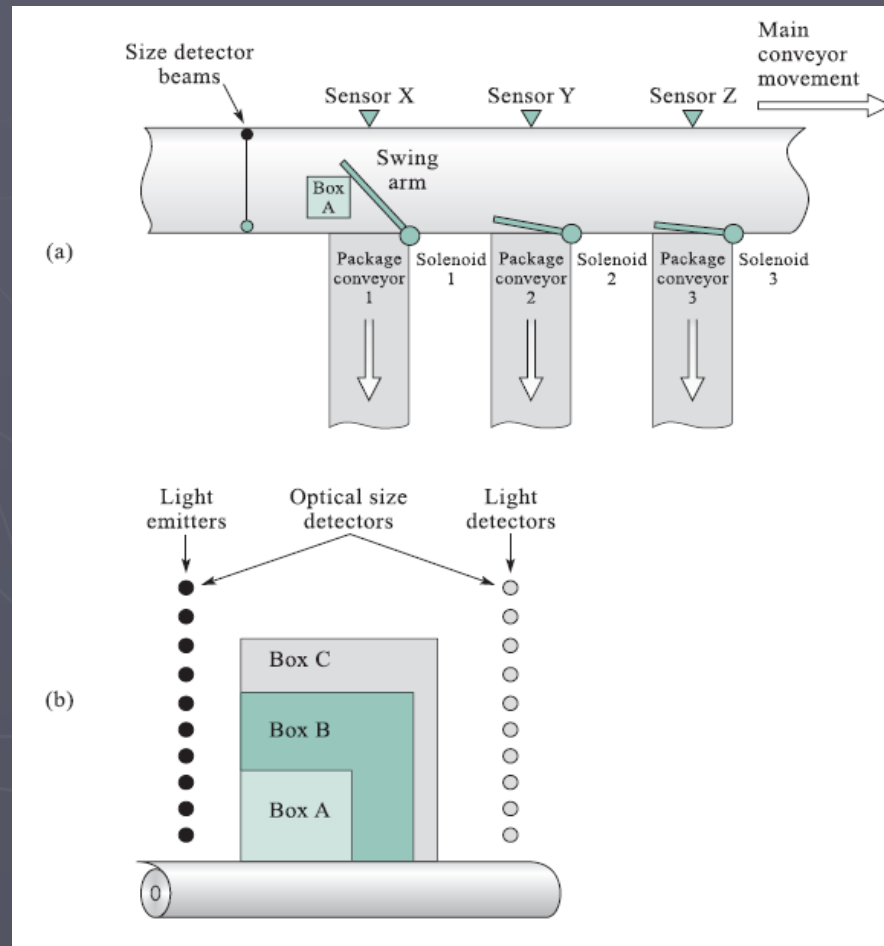
1. Lubricating Drill Machine



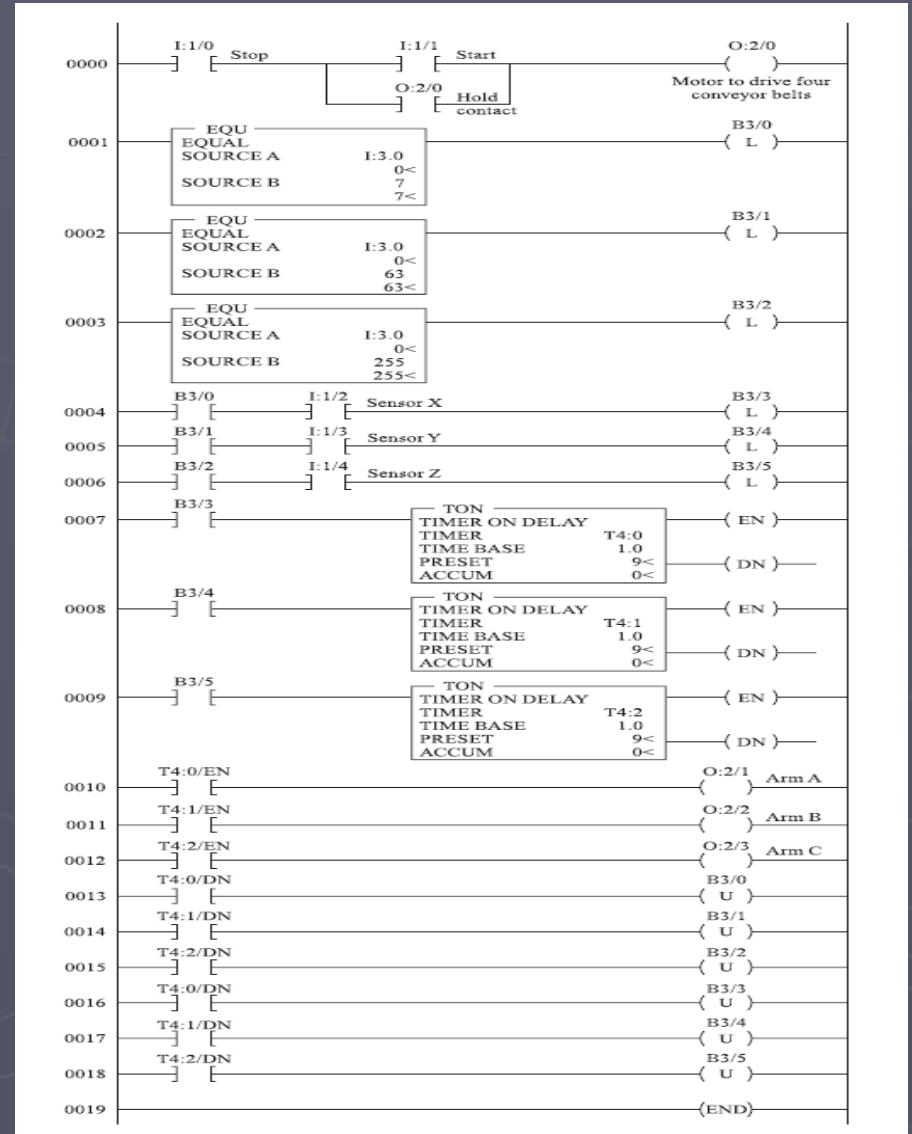
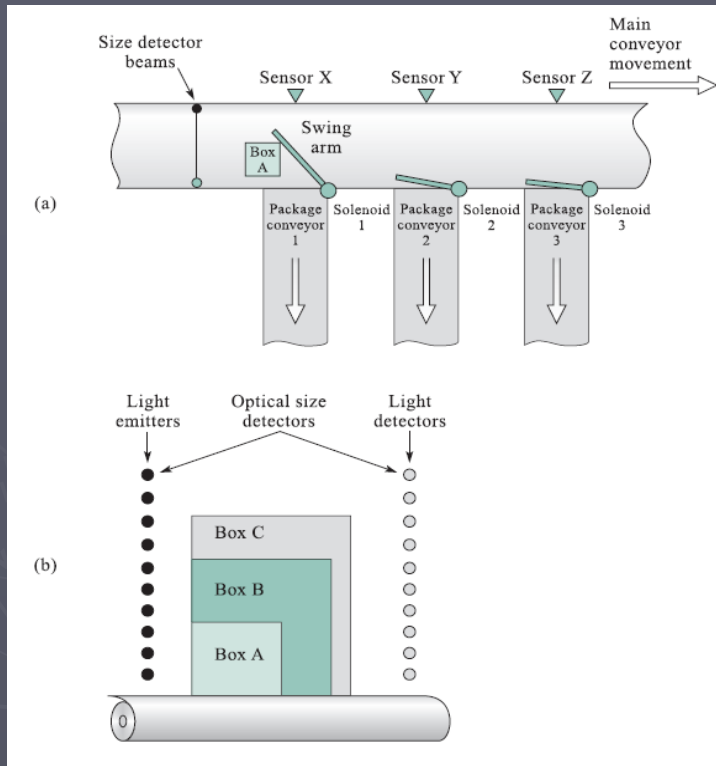
1. Lubricating Drill Machine



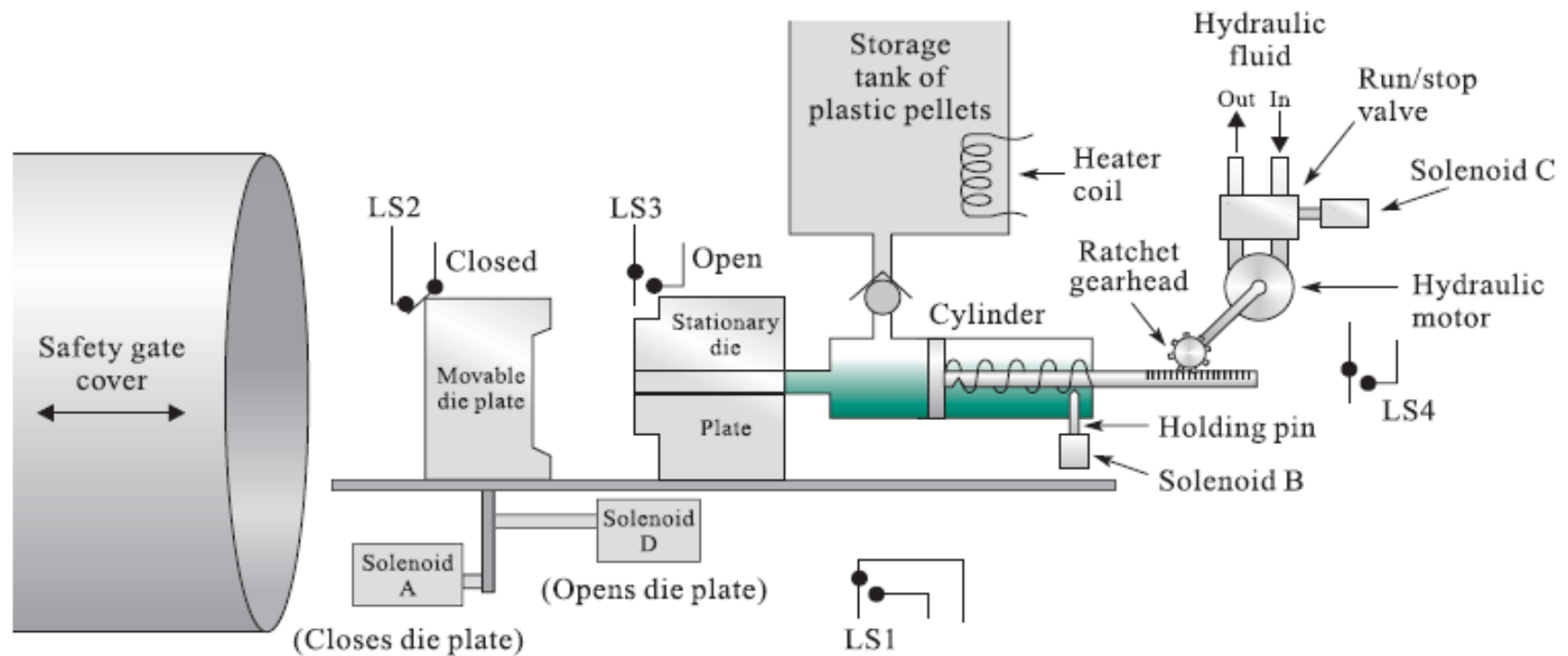
2. Package Sorting Machine



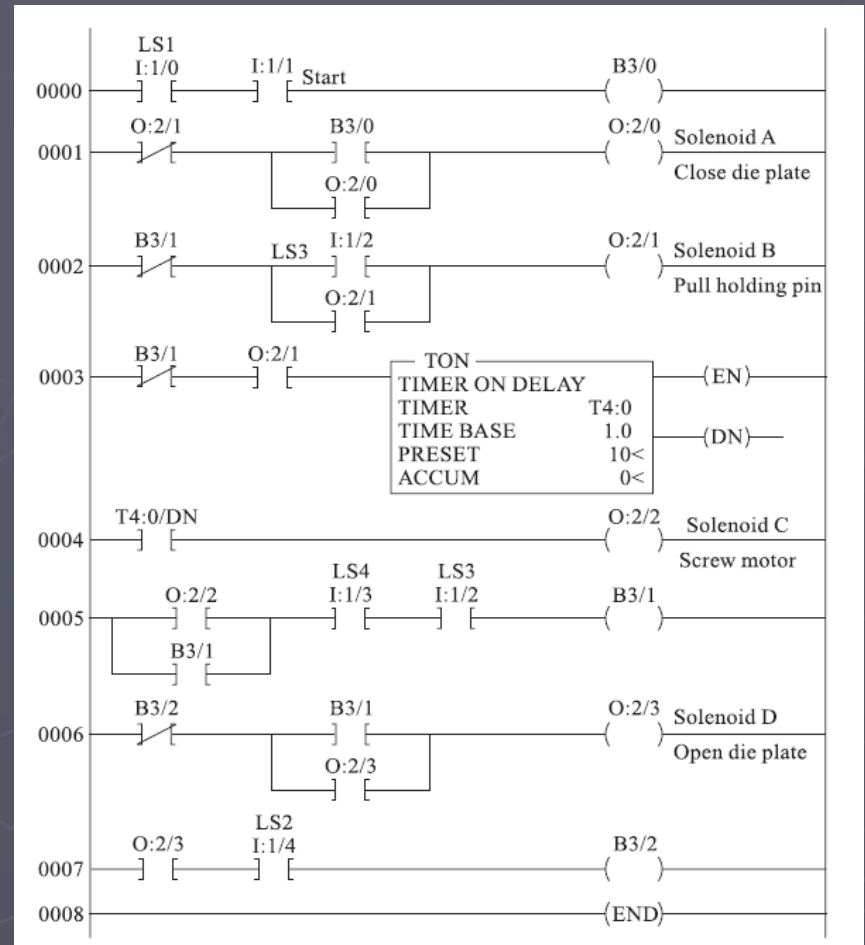
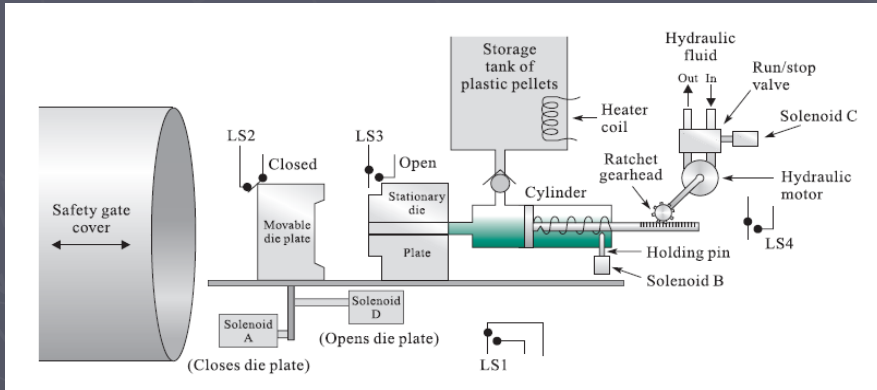
2. Package Sorting Machine



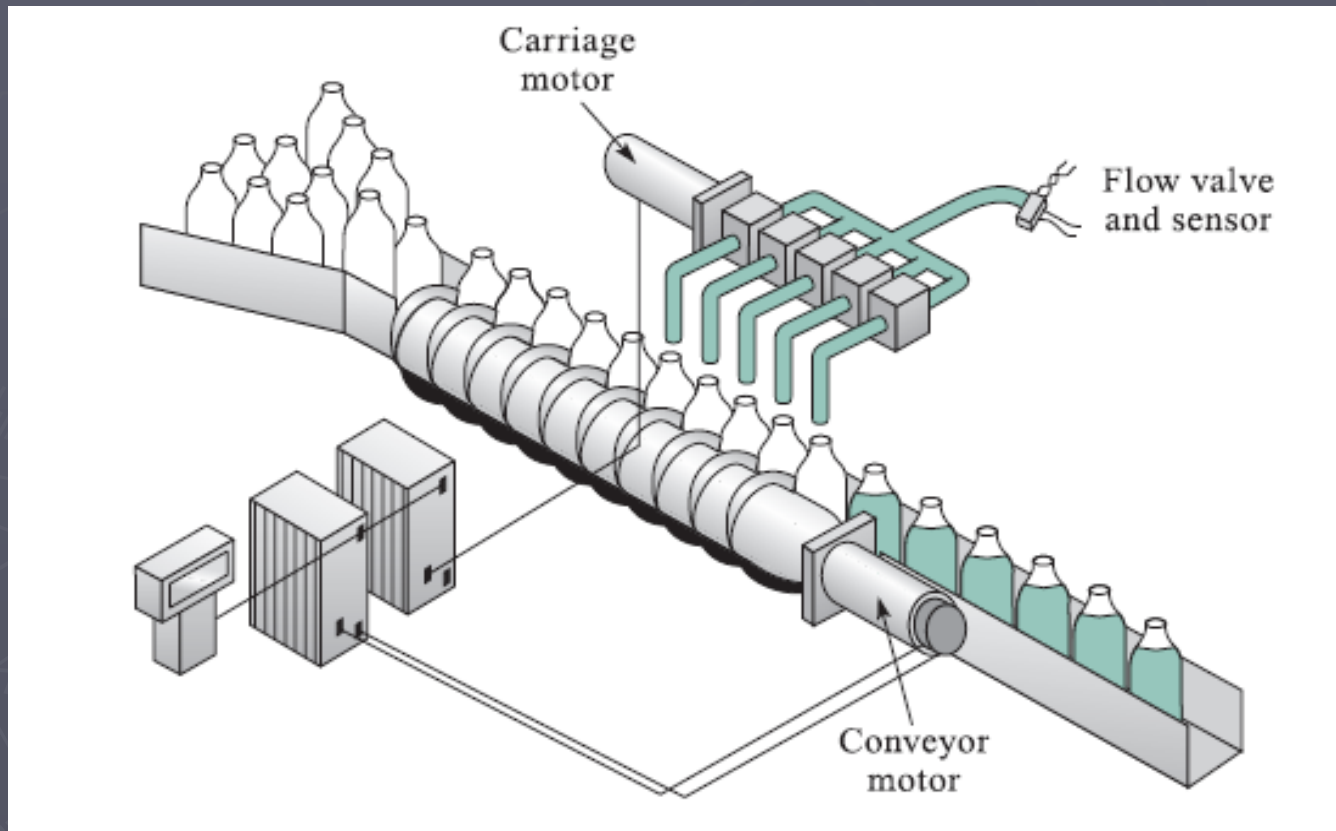
3. Injection Molding Machine



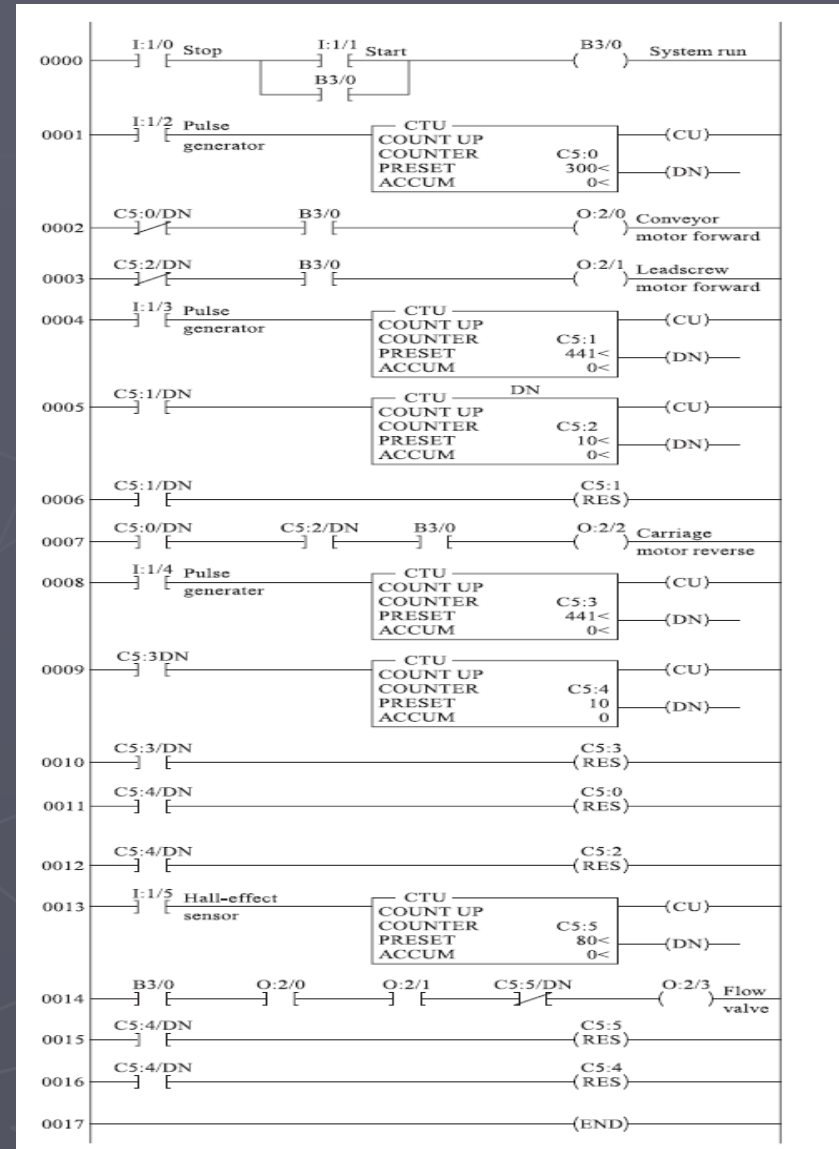
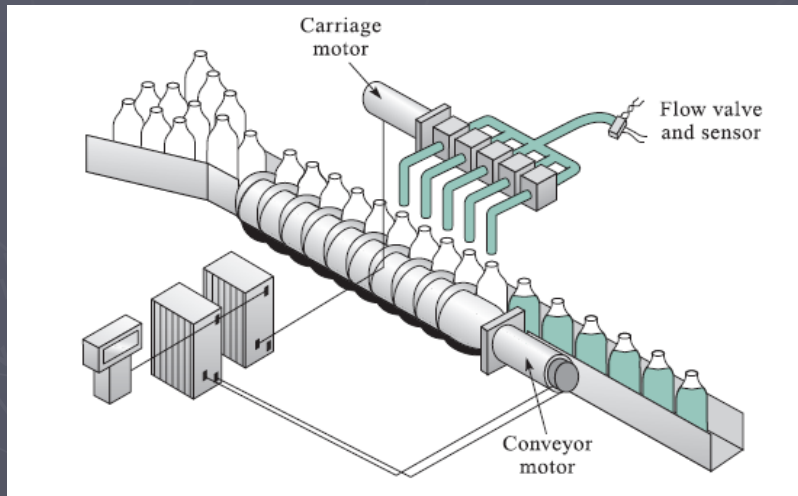
3. Injection Molding Machine



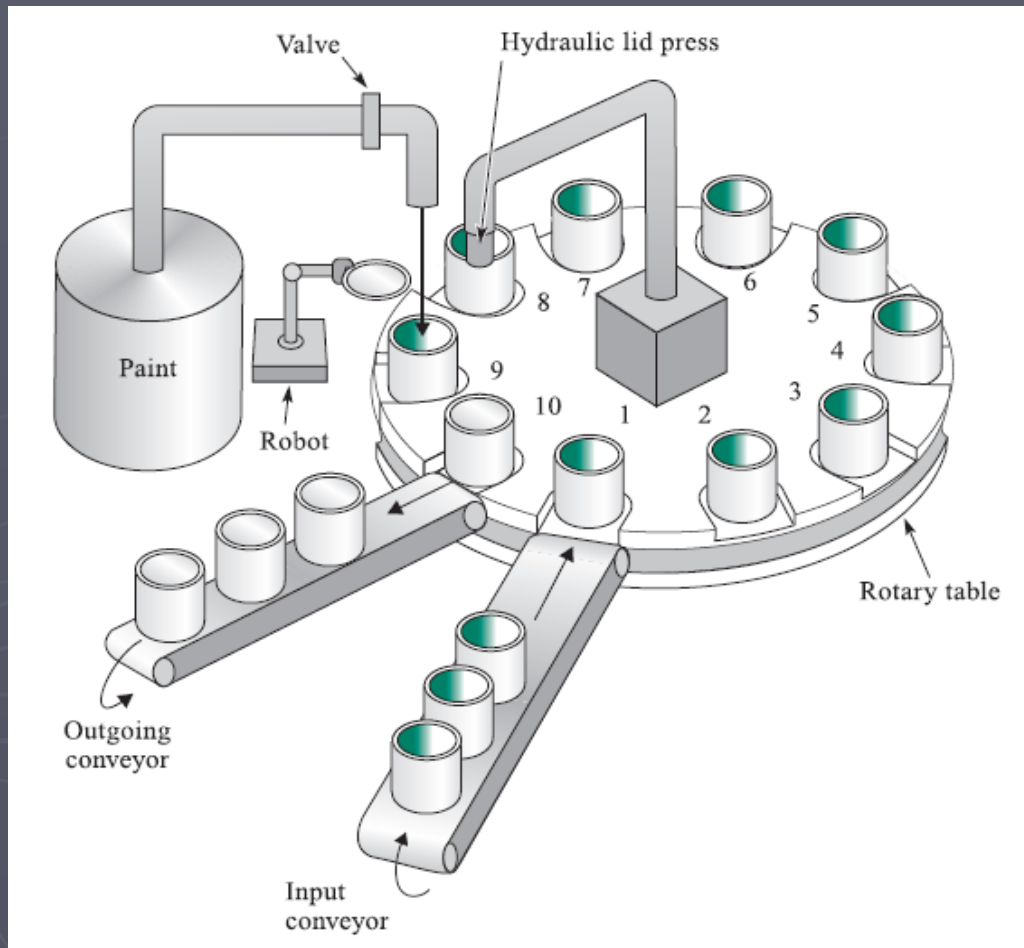
4. In-Line Bottle Filling



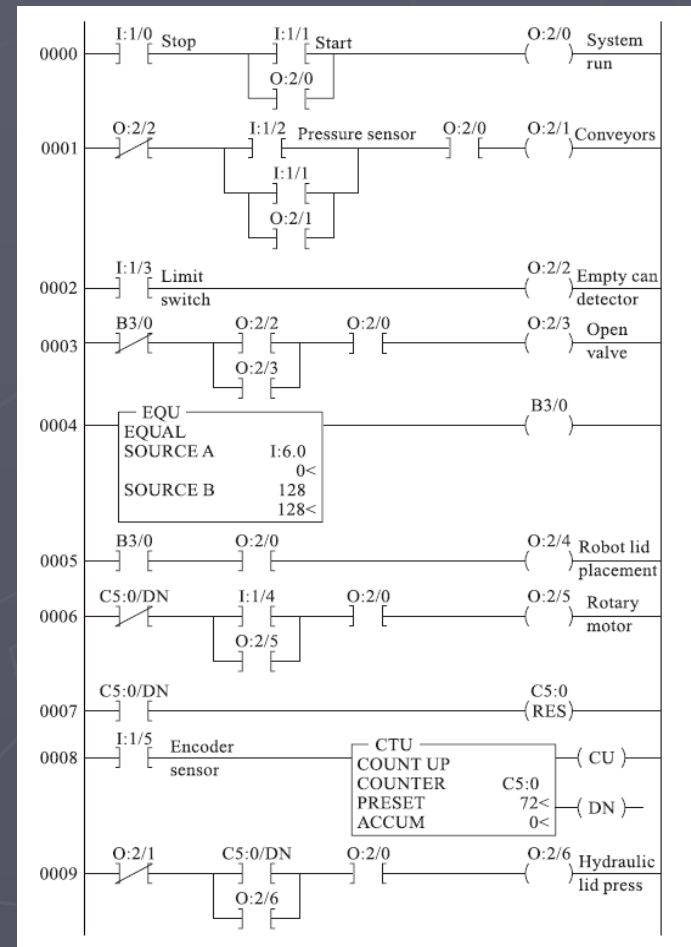
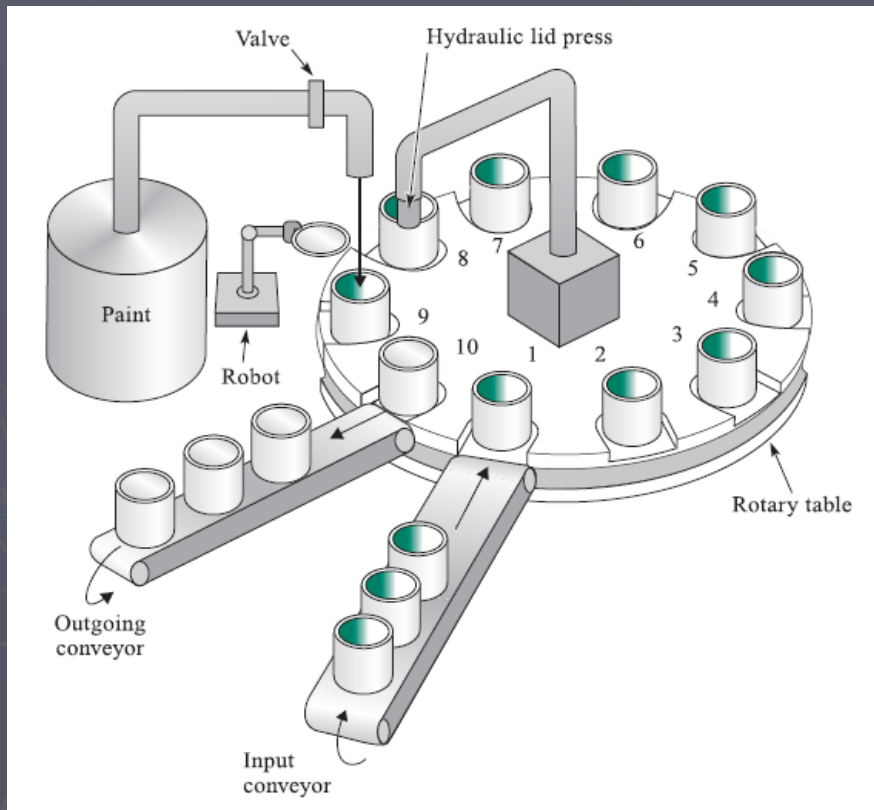
4. In-Line Bottle Filling



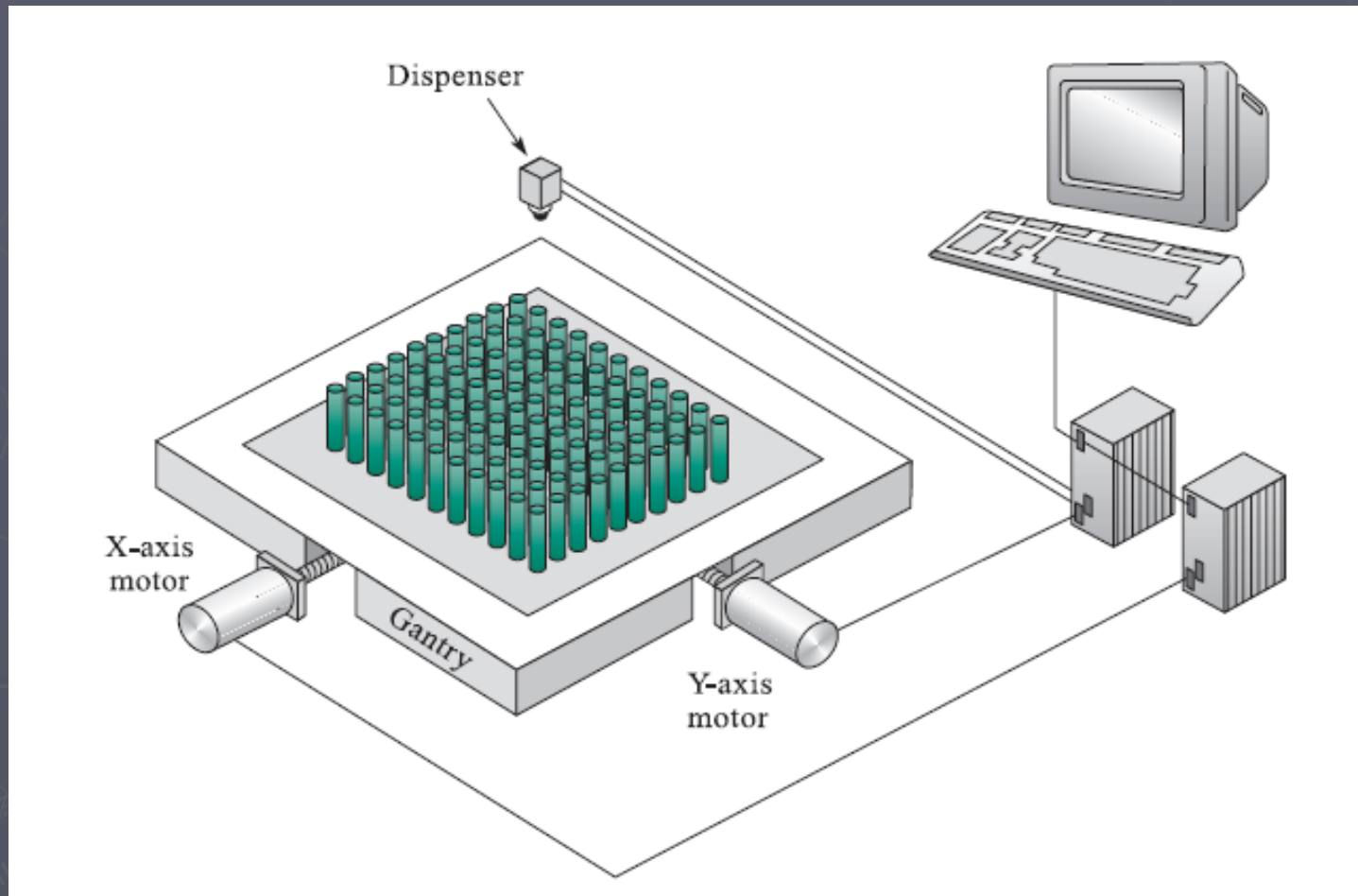
5. Paint Filling Machine



5. Paint Filling Machine



6. X-Y Axis Medicine Dispenser



6. X-Y Axis Medicine Dispenser

